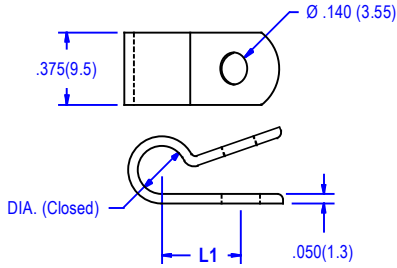
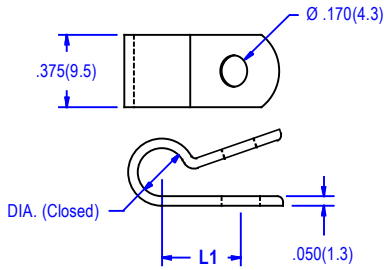


04-03,-05 Series



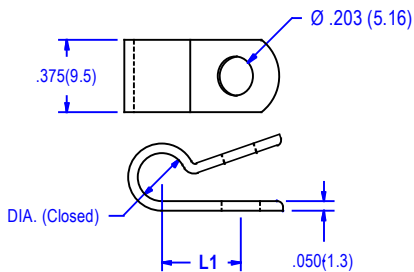
ITEM NO. Natural	ITEM NO. Black	D Closed Diameter		L1	
		In. ±.015	mm. ± 0.4	In. ±.015	mm. ± 0.4
04-03-20-NM	04-03-20-NM-BK	.125	3.2	.329	8.7
04-03-30-NM	04-03-30-NM-BK	.187	4.8	.430	10.9
04-03-40-NM	04-03-40-NM-BK	.250	6.4	.410	10.4
04-03-50-NM	04-03-50-NM-BK	.312	7.9	.495	12.6
04-03-60-NM	04-03-60-NM-BK	.375	9.5	.595	15.1
04-03-70-NM	04-03-70-NM-BK	.437	11.1	.574	14.6
04-03-80-NM	04-03-80-NM-BK	.500	12.7	.605	15.4

PACKAGING : 1000 PER BAG.



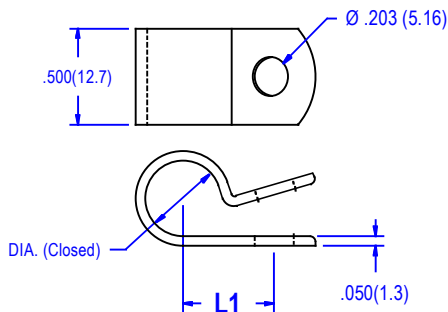
ITEM NO. Natural	ITEM NO. Black	D Closed Diameter		L1	
		In. ±.015	mm. ± 0.4	In. ±.015	mm. ± 0.4
04-03-20-N	04-03-20-BK	.125	3.2	.329	8.7
04-03-30-N	04-03-30-BK	.187	4.8	.430	10.9
04-03-40-N	04-03-40-BK	.250	6.4	.410	10.4
04-03-50-N	04-03-50-BK	.312	7.9	.495	12.6
04-03-60-N	04-03-60-BK	.375	9.5	.595	15.1
04-03-70-N	04-03-70-BK	.437	11.1	.574	14.6
04-03-80-N	04-03-80-BK	.500	12.7	.605	15.4

PACKAGING : 1000 PER BAG.



ITEM NO. Natural	ITEM NO. Black	D Closed Diameter		L1	
		In. ±.015	mm. ± 0.4	In. ±.015	mm. ± 0.4
04-03-20-NX	04-03-20-NX-BK	.125	3.2	.329	8.7
04-03-30-NX	04-03-30-NX-BK	.187	4.8	.430	10.9
04-03-40-NX	04-03-40-NX-BK	.250	6.4	.410	10.4
04-03-50-NX	04-03-50-NX-BK	.312	7.9	.495	12.3
04-03-60-NX	04-03-60-NX-BK	.375	9.5	.595	15.1
04-03-70-NX	04-03-70-NX-BK	.437	11.1	.574	14.6
04-03-80-NX	04-03-80-NX-BK	.500	12.7	.605	15.4

PACKAGING : 1000 PER BAG.



MATERIAL	NYLON 66
UL RATING	94V-2
UL FILE NO.	E41938
COLOR	NATURAL
ASTM	D 4066, PA111
ROHS COMPLIANCE	YES
TEMPERATURE RANGE (REF.)	-40 to 185°F (-40 to 85°C)
MR NUMBER	12

ITEM NO. Natural	ITEM NO. Black	D Closed Diameter		L1	
		In. ±.015	mm. ± 0.4	In. ±.015	mm. ± 0.4
04-05-20-N	04-05-20-BK	.125	3.2	.315	8
04-05-30-N	04-05-30-BK	.187	4.8	.425	10.8
04-05-40-N	04-05-40-BK	.250	6.4	.410	10.4
04-05-50-N	04-05-50-BK	.312	7.9	.500	12.7
04-05-60-N	04-05-60-BK	.375	9.5	.530	13.5
04-05-70-N	04-05-70-BK	.437	11.1	.560	14.2
04-05-80-N	04-05-80-BK	.500	12.7	.595	15.1
04-05-90-N	04-05-90-BK	.562	14.3	.606	15.4
04-05-100-N	04-05-100-BK	.625	15.9	.655	16.6
04-05-110-N	04-05-110-BK	.687	17.4	.755	19.2
04-05-120-N	04-05-120-BK	.750	19.1	.780	19.8
04-05-130-N	04-05-130-BK	.812	20.6	.815	20.7
04-05-140-N	04-05-140-BK	.875	22.2	.845	21.5
04-05-160-N	04-05-160-BK	1.00	25.4	.910	23.1
04-05-180-N	04-05-180-BK	1.13	28.6	.970	24.6
04-05-190-N	04-05-190-BK	1.19	30.1	1.00	25.4
04-05-200-N	04-05-200-BK	1.25	31.8	1.06	26.9
04-05-220-N	04-05-220-BK	1.38	34.9	1.125	28.6
04-05-240-N	04-05-240-BK	1.50	38.1	1.190	30.2

PACKAGING : From 04-05-20 thru 04-05-160 = 1000 / bag.
04-05-180 thru 04-05-240 = 500 / bag.

Note:
COLOR BLACK: Same material as natural with 2% Carbon Black added. UV resistant.

				ALL ELECTRONICS HARDWARE , INC.		Title 04-03& -05 series CLAMPS		Issue A	
A				Added series NM & NM-BK		2-3-20		FL	
No				Revision		Date		Init.	
				2642 CORPORATE PARKWAY		File No.		04-03-05 series	
				ALGONQUIN, IL. 60102		1-800-778-7234		Date 02/03/20	